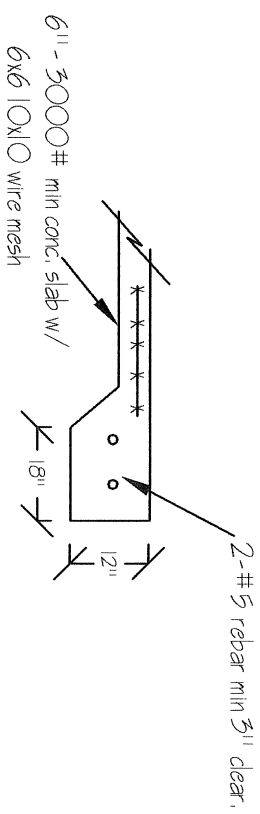
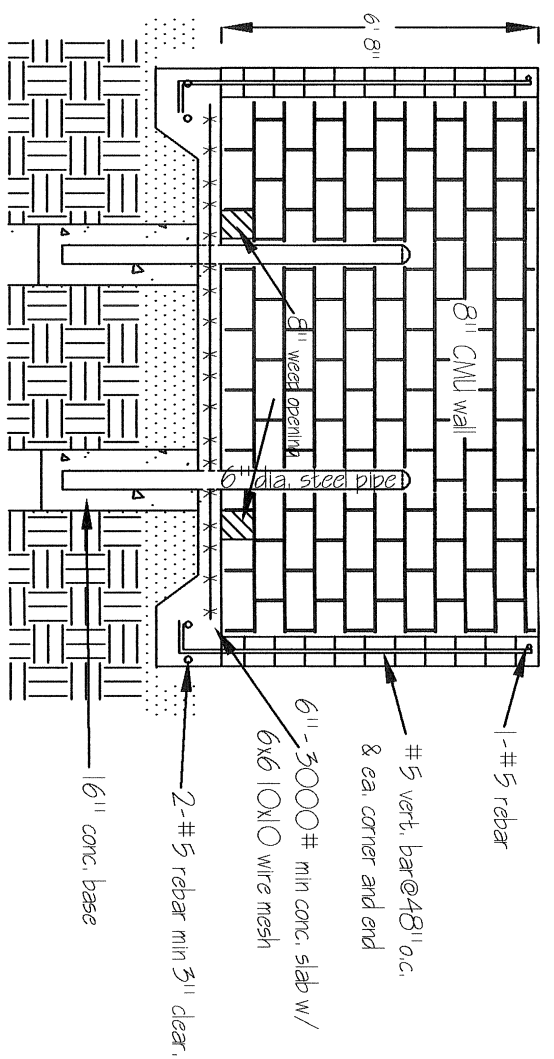


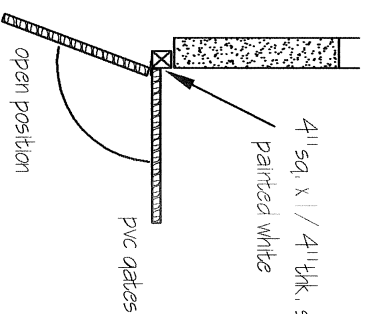
Plan View



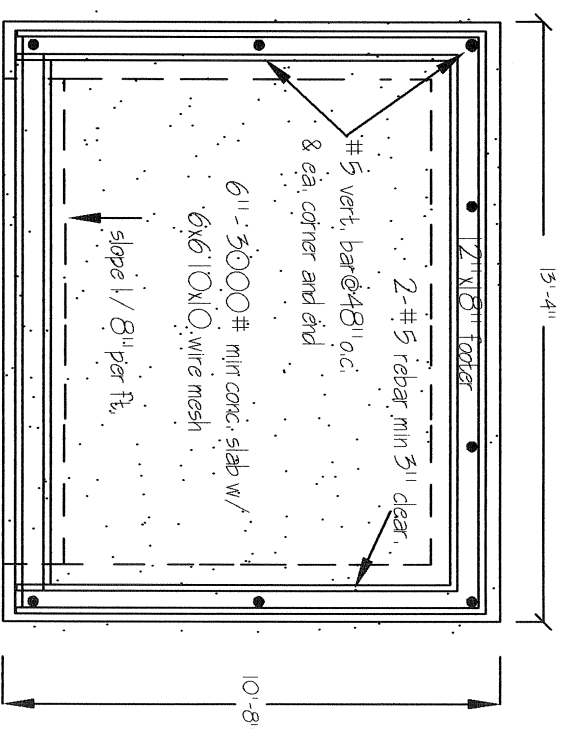
Slab Detail



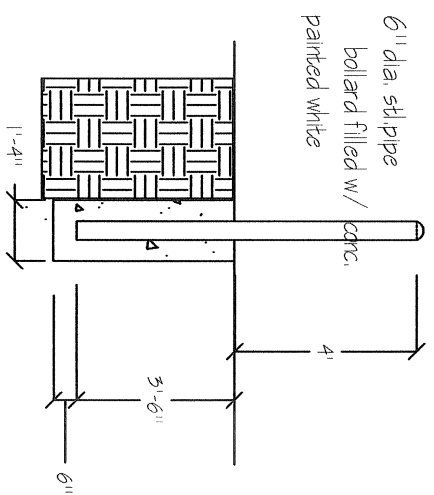
Section View



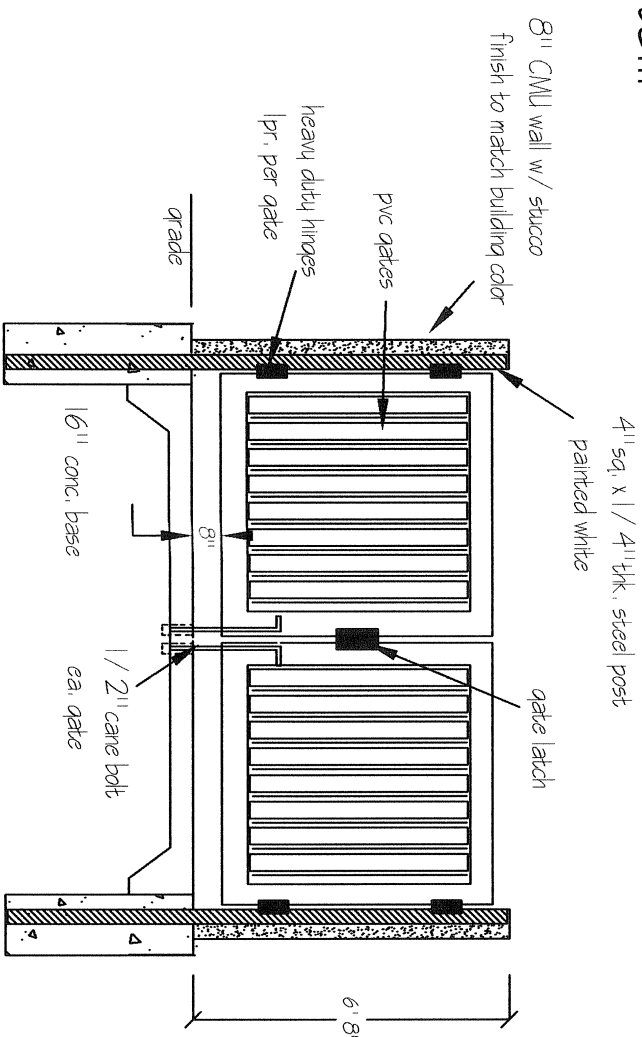
Gate Post Detail



Foundation Plan



Bollard Detail



Gate Elevation

City of Temple Terrace
DUMPSTER ENCLOSURE - SINGLE

DATE	Jan 08
SCALE	1/4" / ft
DRAWN	
JOB	
SHEET	
DF	SHEETS

REVISIONS	BY
Rev 12/08	