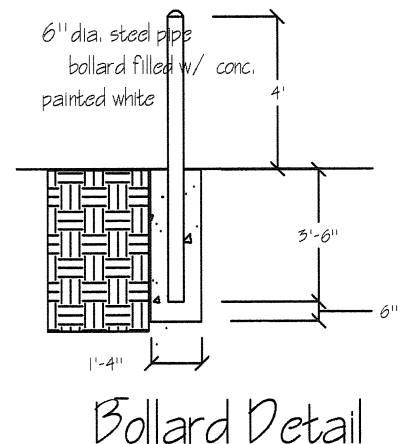
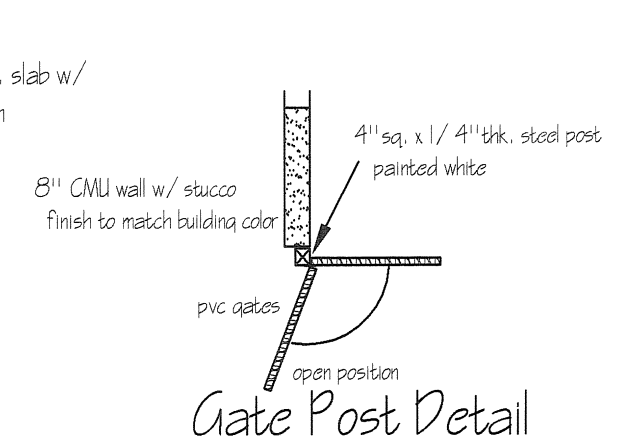
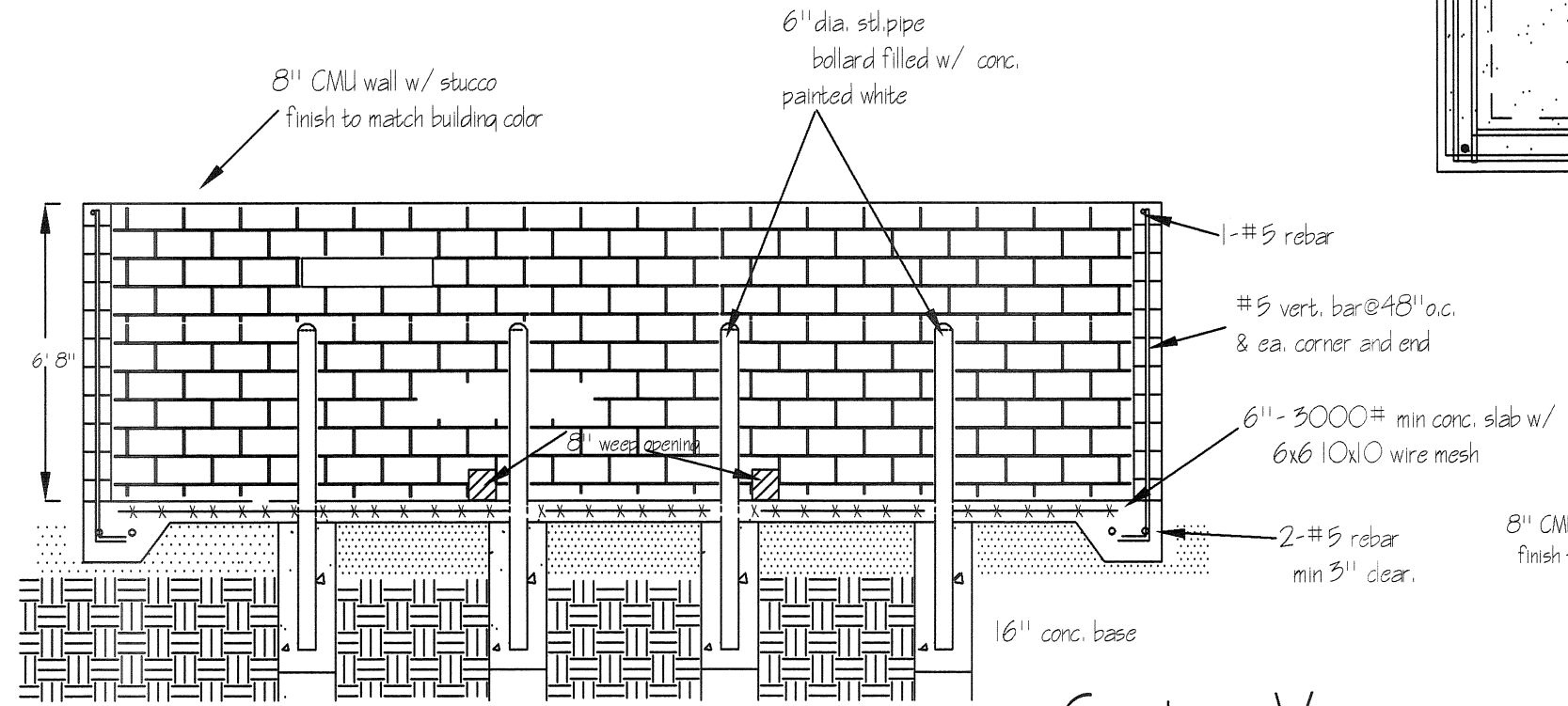
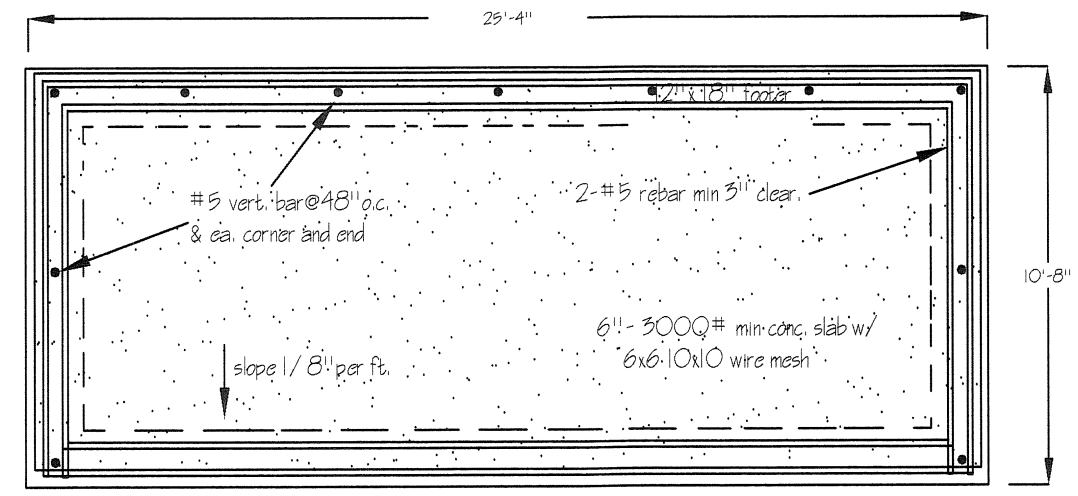
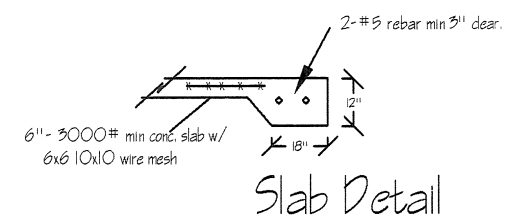
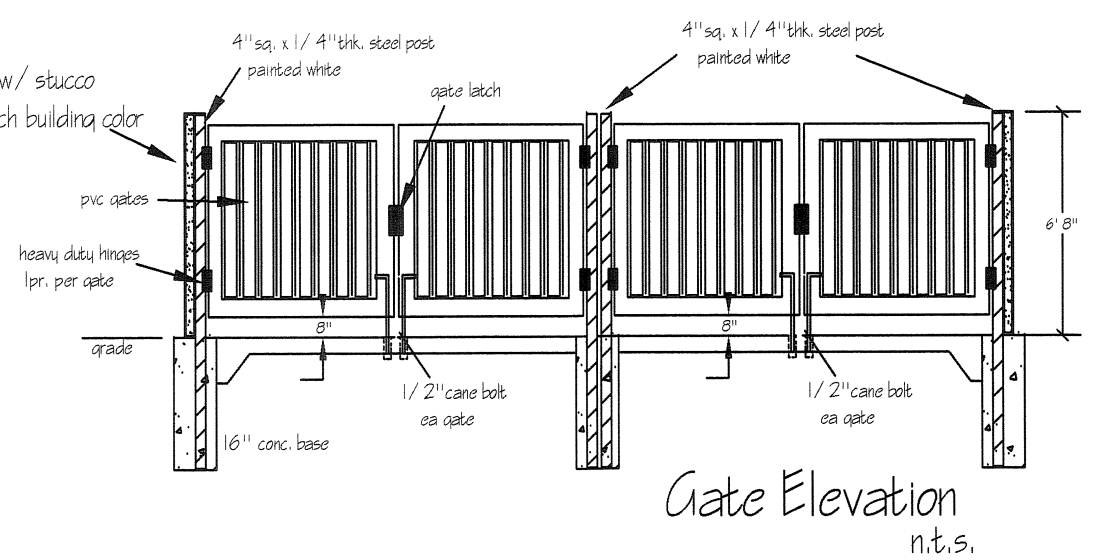
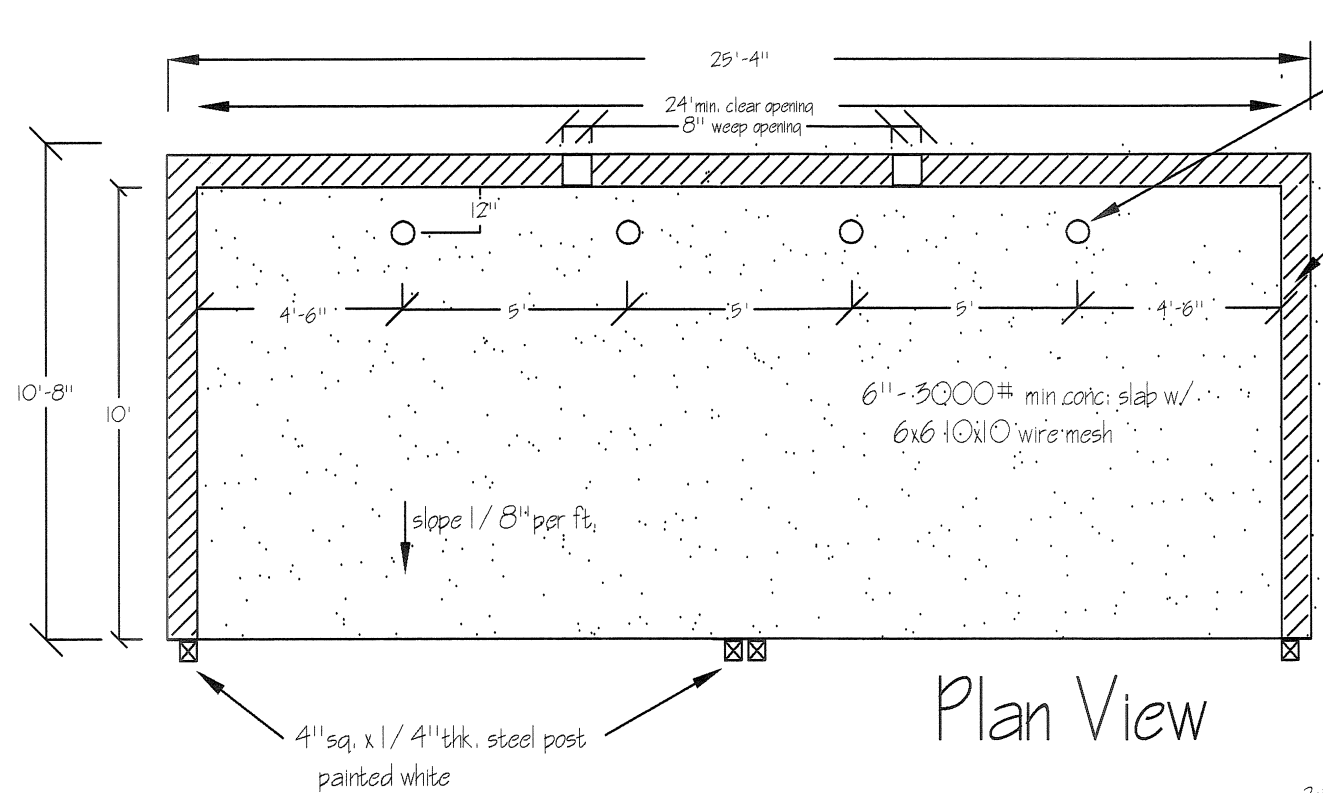


REVISIONS	BY
Rev 12/08	



City of Temple Terrace
 DUMPSTER ENCLOSURE - DOUBLE

DATE	Jan 08
SCALE	1/4" / ft
DRAWN	
JOB	
SHEET	
OF	SHEETS