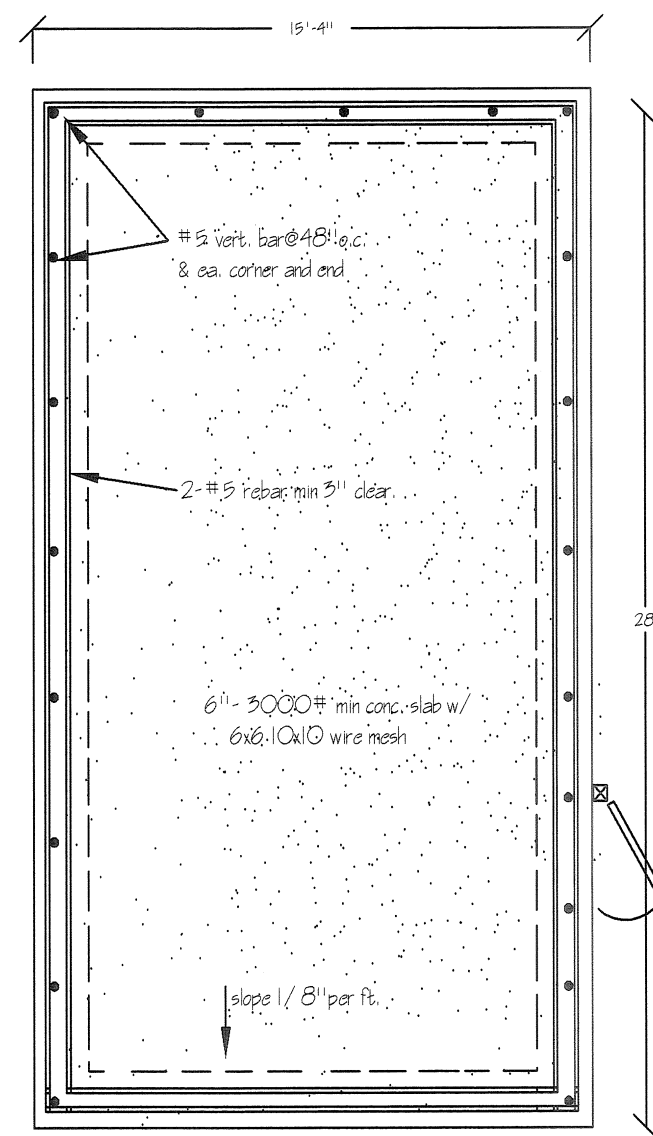
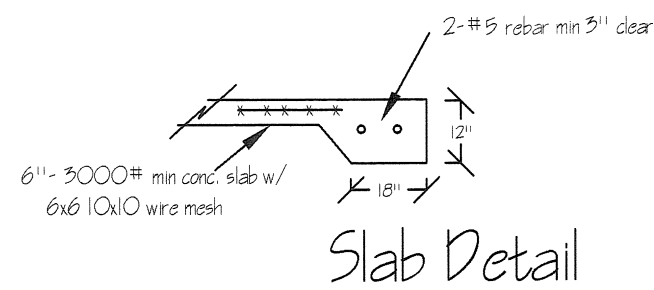


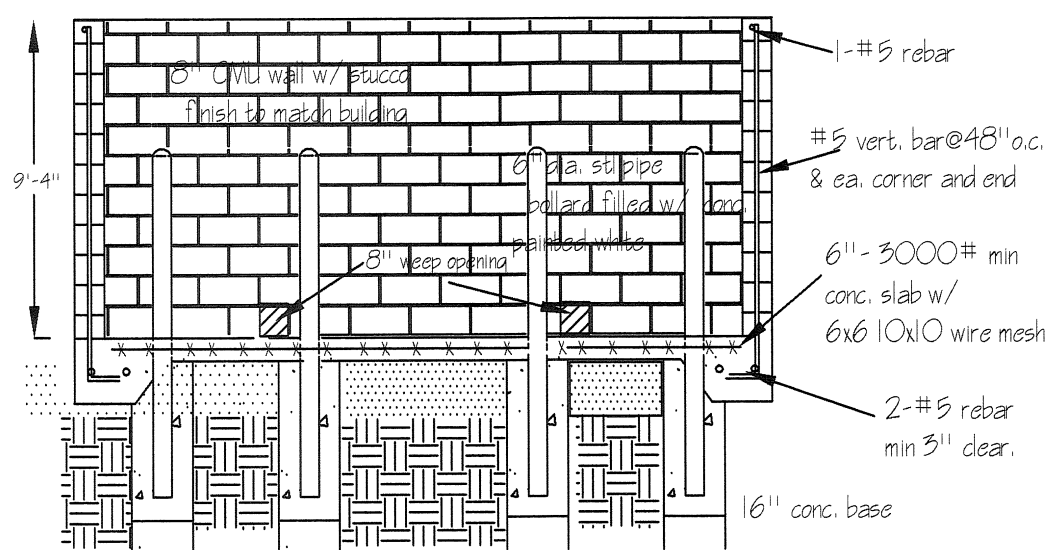
Plan View



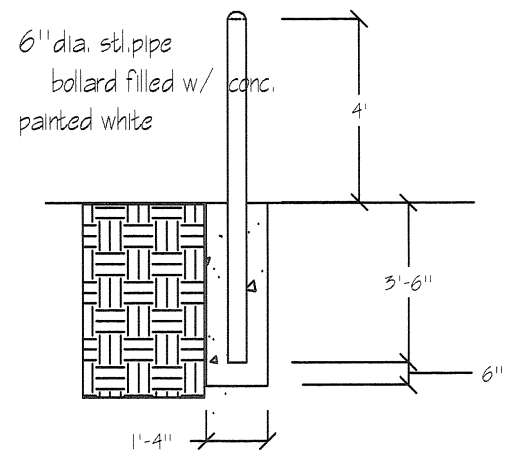
Foundation Plan  
n.t.s.



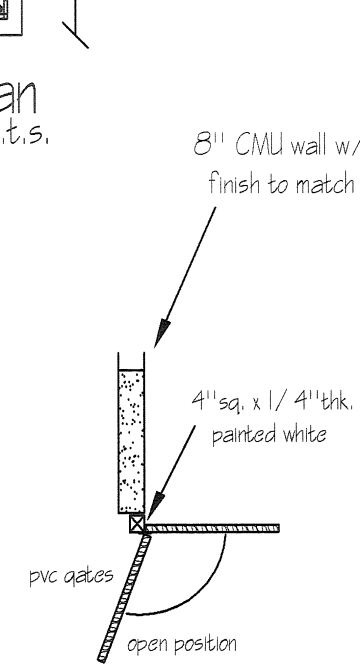
Slab Detail



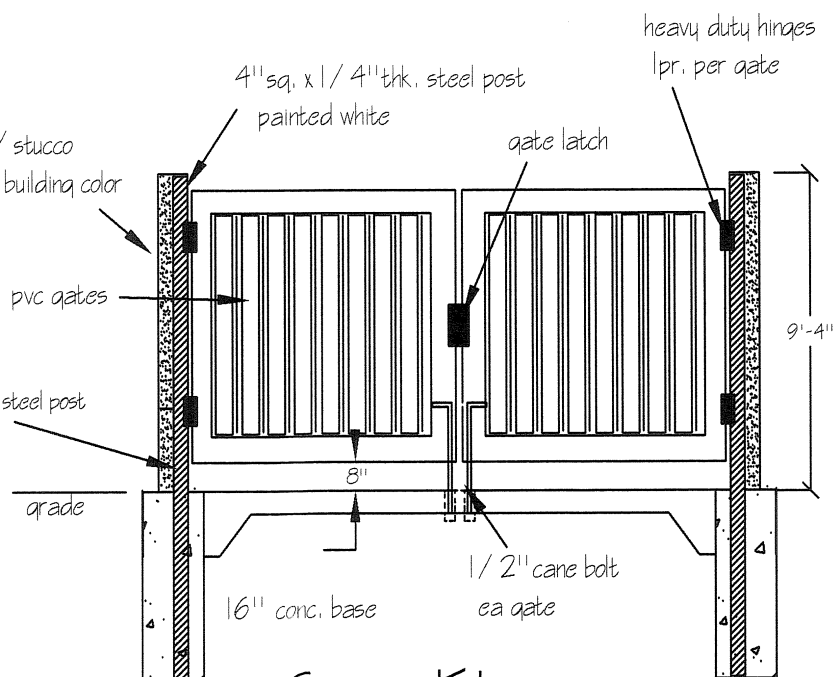
Section View  
n.t.s.



Bollard Detail



Gate Post Detail



Gate Elevation  
n.t.s.

REVISIONS	BY
Rev 12/08	

City of Temple Terrace

COMPACTOR ENCLOSURE

DATE Jan 08  
SCALE 1/4" / ft  
DRAWN  
JOB  
SHEET

OF SHEETS